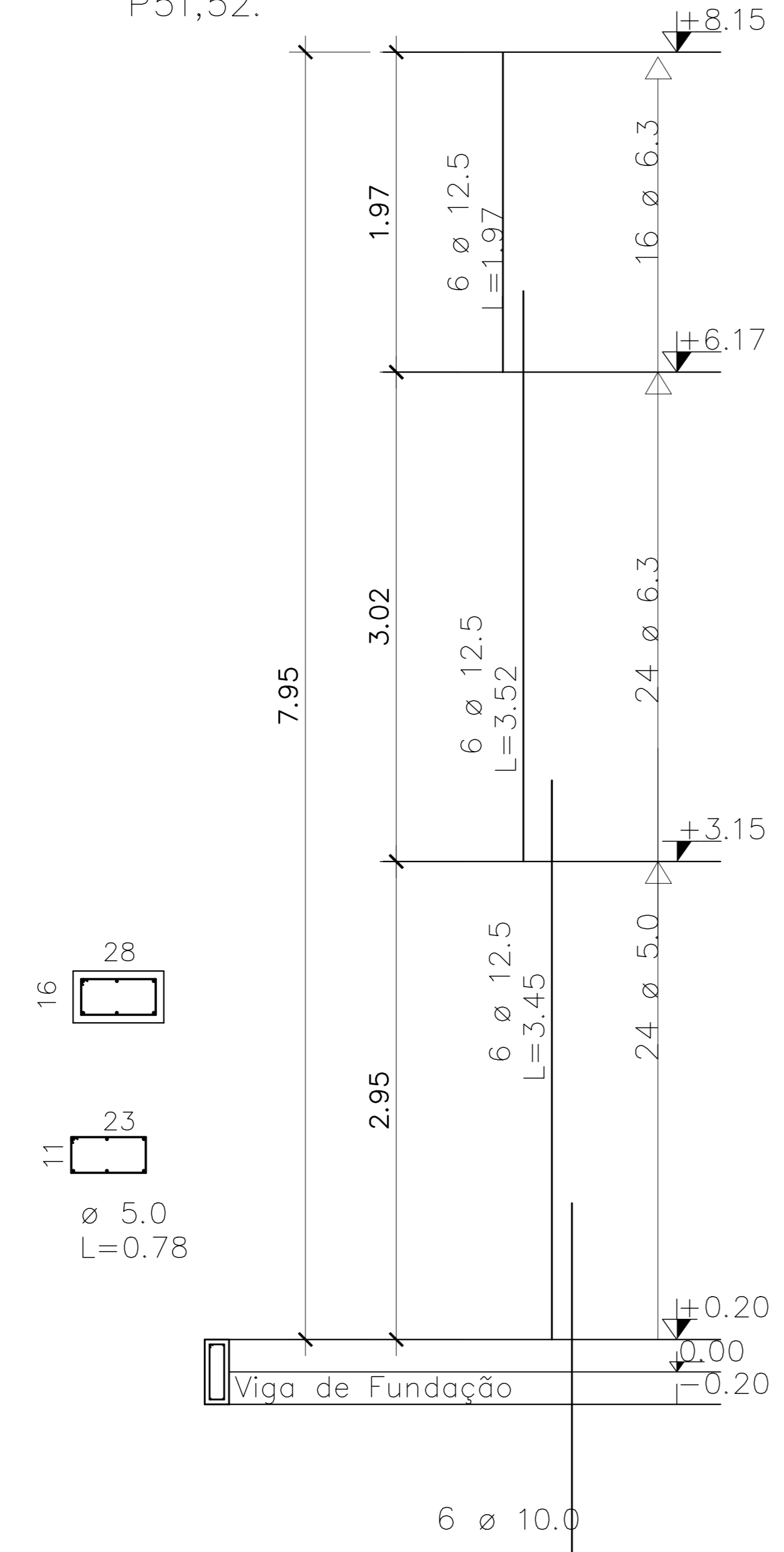
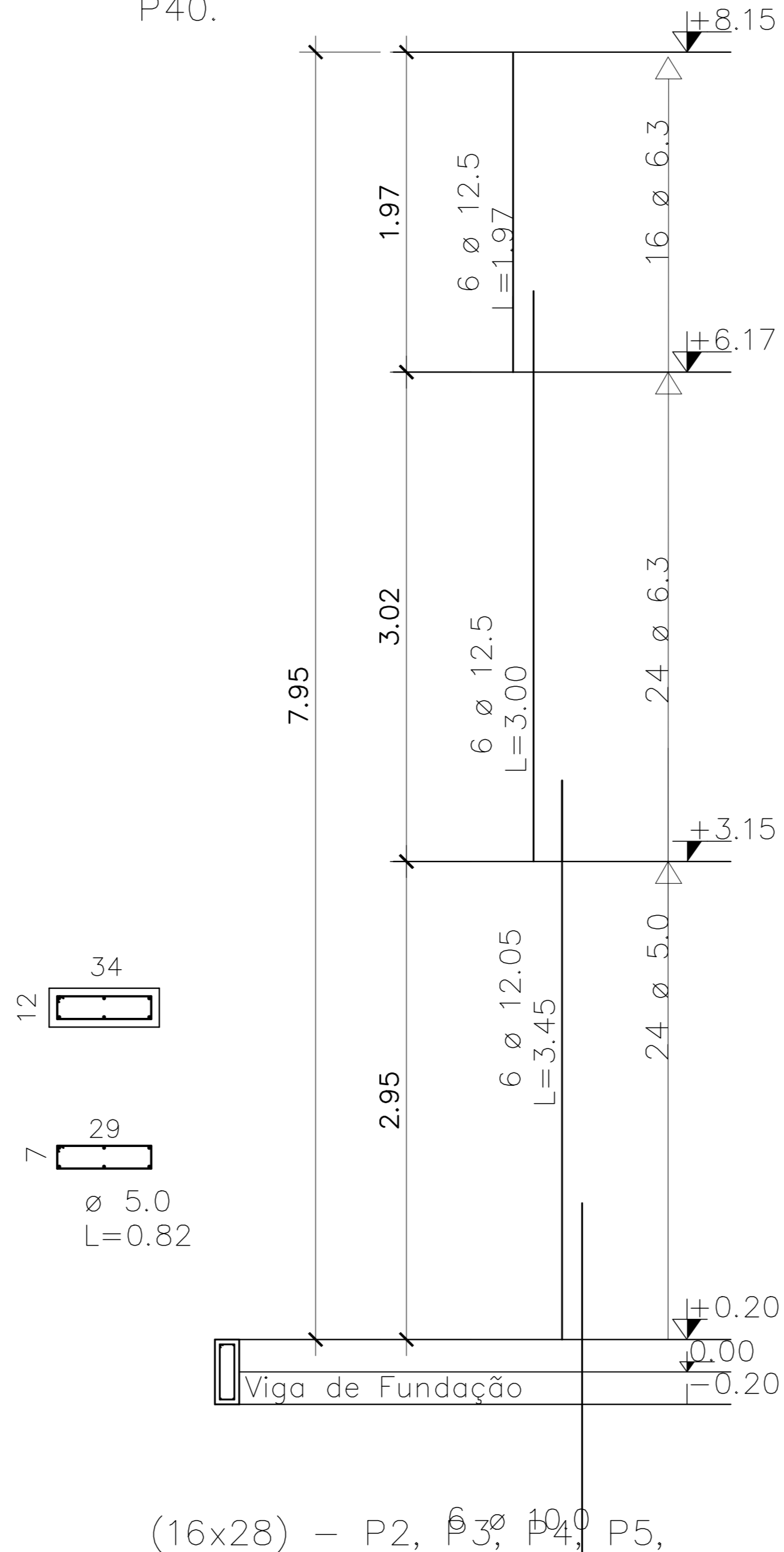


PILARS		
Bitola	Peso	Peso +10% Unid.
Concreto	11,93404	m ³
Forma	263,85	m ²
Ø 5.0	233,89	257,213/Kg
Ø 6.3	101,72	111,892/Kg
Ø 10.0	1417,98	1559,778/Kg
Ø 12.5	538,88	592,768/Kg

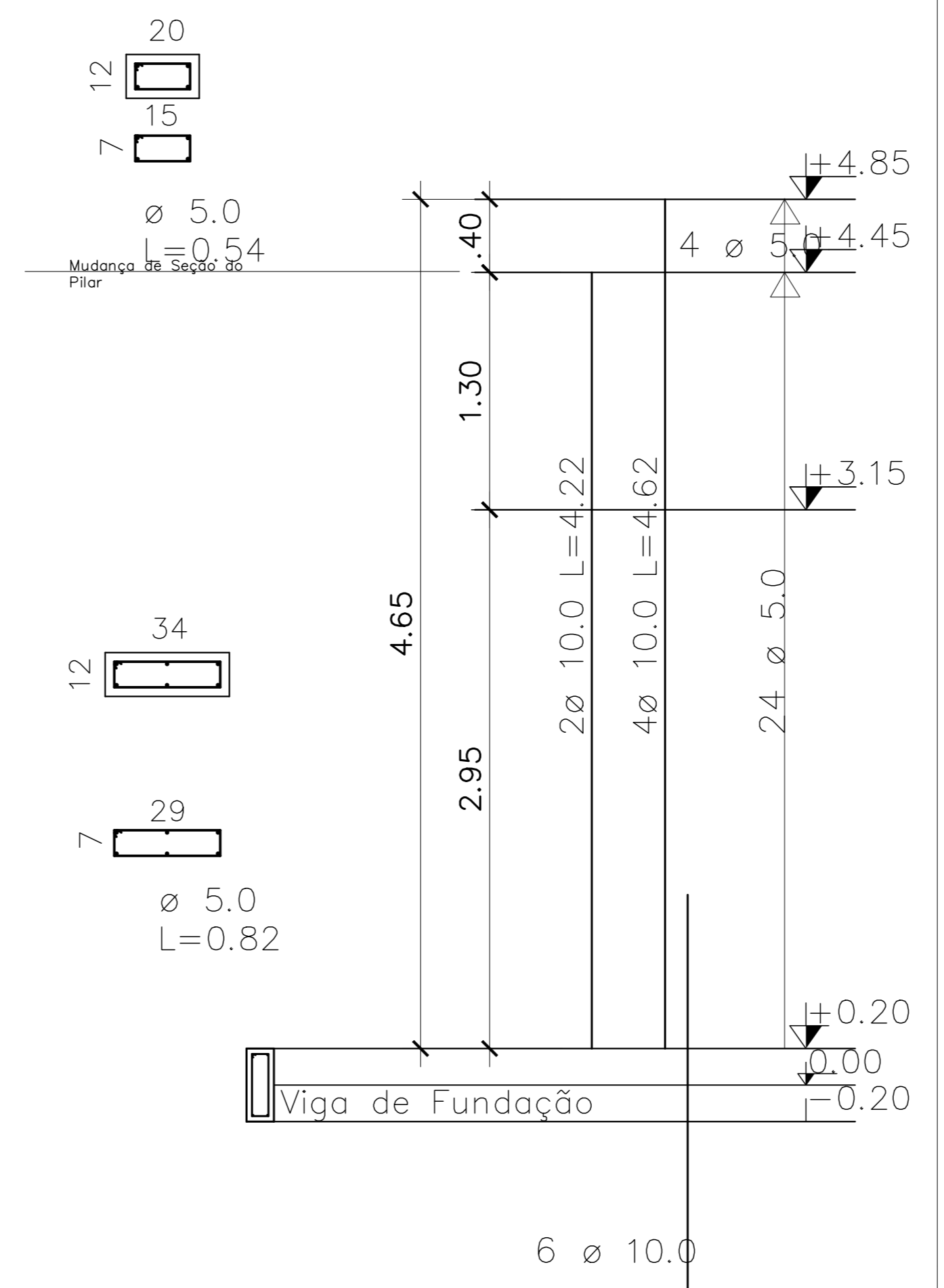
(16x28) – P9A, P10A, P51,52.



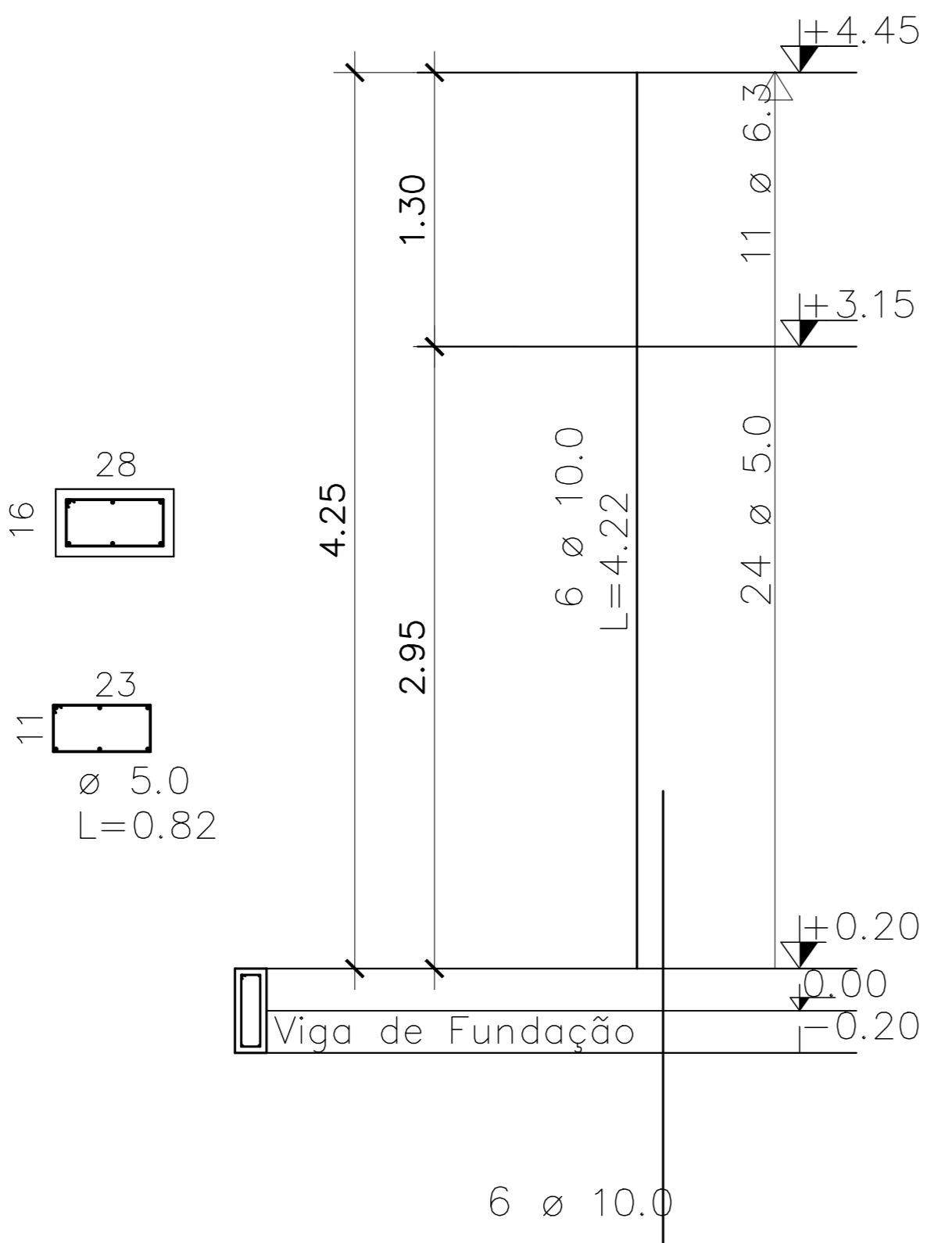
(12x34) – 26, P27, P39, P40.



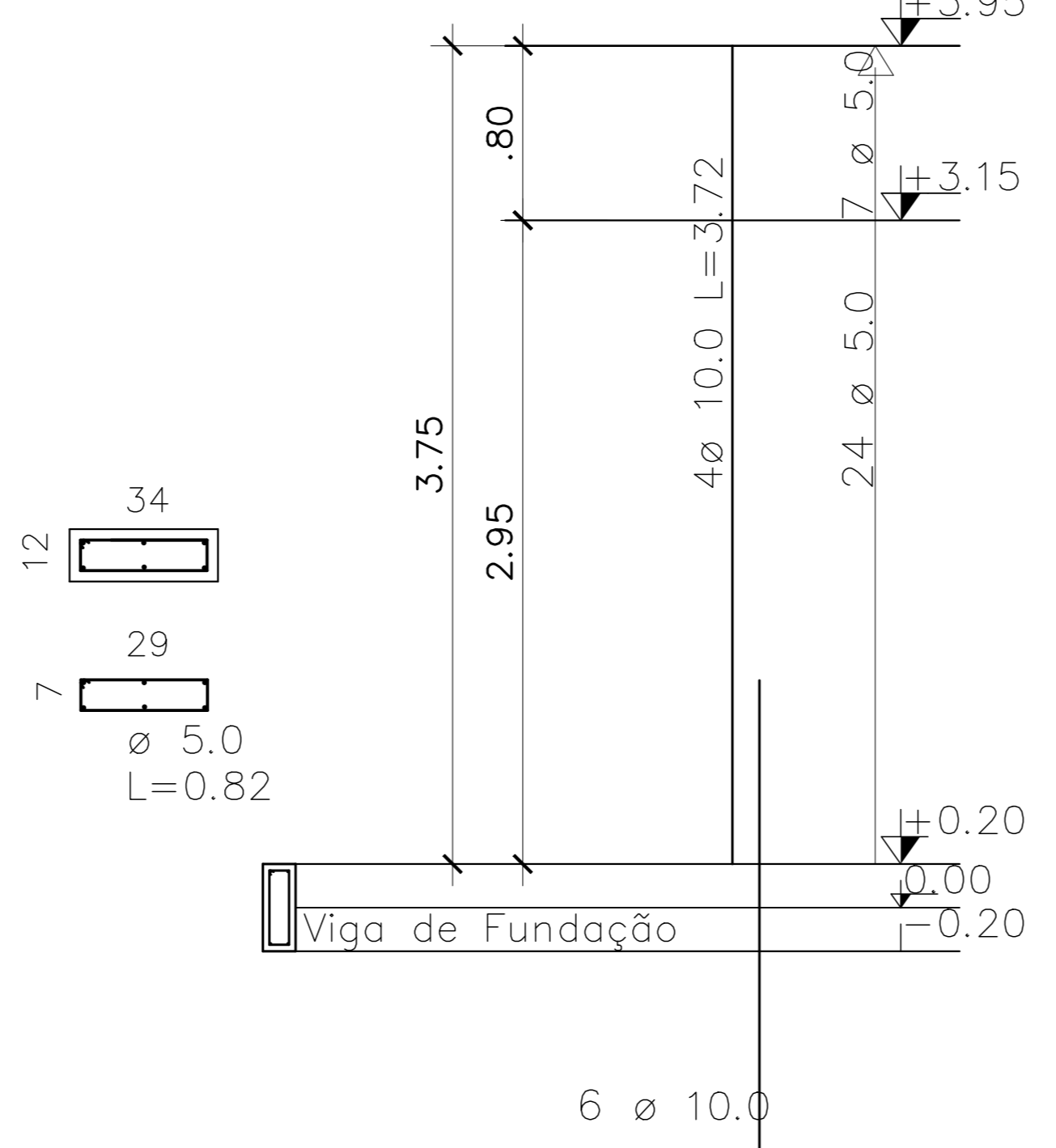
(12x34/20) – P18, P47.



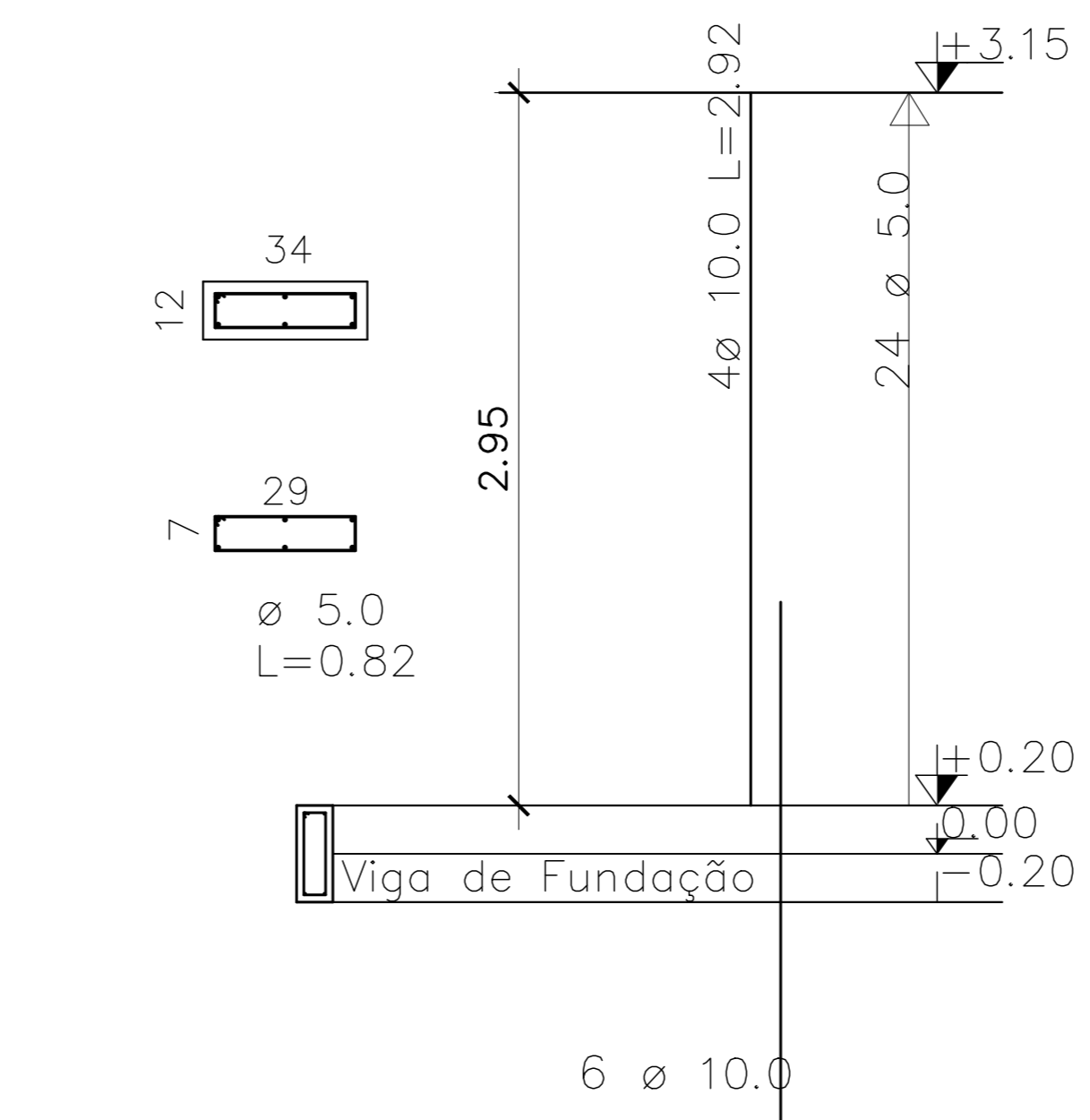
(16x28) – P1, P54.



(16x28) – P2, P3, P4, P5, P6, P7, P8, P9, P10, P11, P12, P13, P4, P15, P16, P33, P46, P54, P55, P56, P57, P58, P59, P60, P61, P62, P63, P64, P65, P66, P67, P68, P69.



(12x34) – P17, P19, P20, P21, P22, P23, P24, P925, P28, P29, P30, P31, P32, P34, P35, P36, P37, P38, P41, P42, P43, P44, P45, P48, P49, P50, P53.



PREFEITURA MUNICIPAL DO RIO GRANDE
SECRETARIA MUNICIPAL DE COORDENAÇÃO E PLANEJAMENTO



UBS PARQUE SÃO PEDRO
RUA F - ESQUINA RUA FRANCISCO GOMES, RIO GRANDE | RS

PROJETO ESTRUTURAL
PILARES

SMCP
04.2018

OLDAIR ANTONIO COLARES
ENG. CIV. - CREA RS 13653

04/07

CSB-SMCP_PILARES